



Rainbow Aircraft (Pty) Ltd

Hangar 28, Springs Airport, Springs
P O Box 3408, 1544 Dalview
South Africa

Tel: +27 (0)11 817 2298

Fax: +27 (0)11 817 2297

E-mail: sales@aerotrike.co.za

Web: www.aerotrike.co.za

MAINTENANCE SCHEDULE: RECOMMENDED

AIRCRAFT : CHEETAH
AIRCRAFT CATEGORY : LIGHT SPORT AIRCRAFT
AIRCRAFT DESIGNATOR : Z194

MAINTENANCE AREA : NUTS AND BOLTS RECOMMENDED REPLACEMENT

Reason for recommended replacement of bolts and nuts listed below. (Drawings attached)

Due to stresses in flight and during landings and continuous vibrations on the listed parts, it is recommended by the Manufacturer that all nuts and bolts listed in this recommendation are replaced at **500 hours** on the airframe.

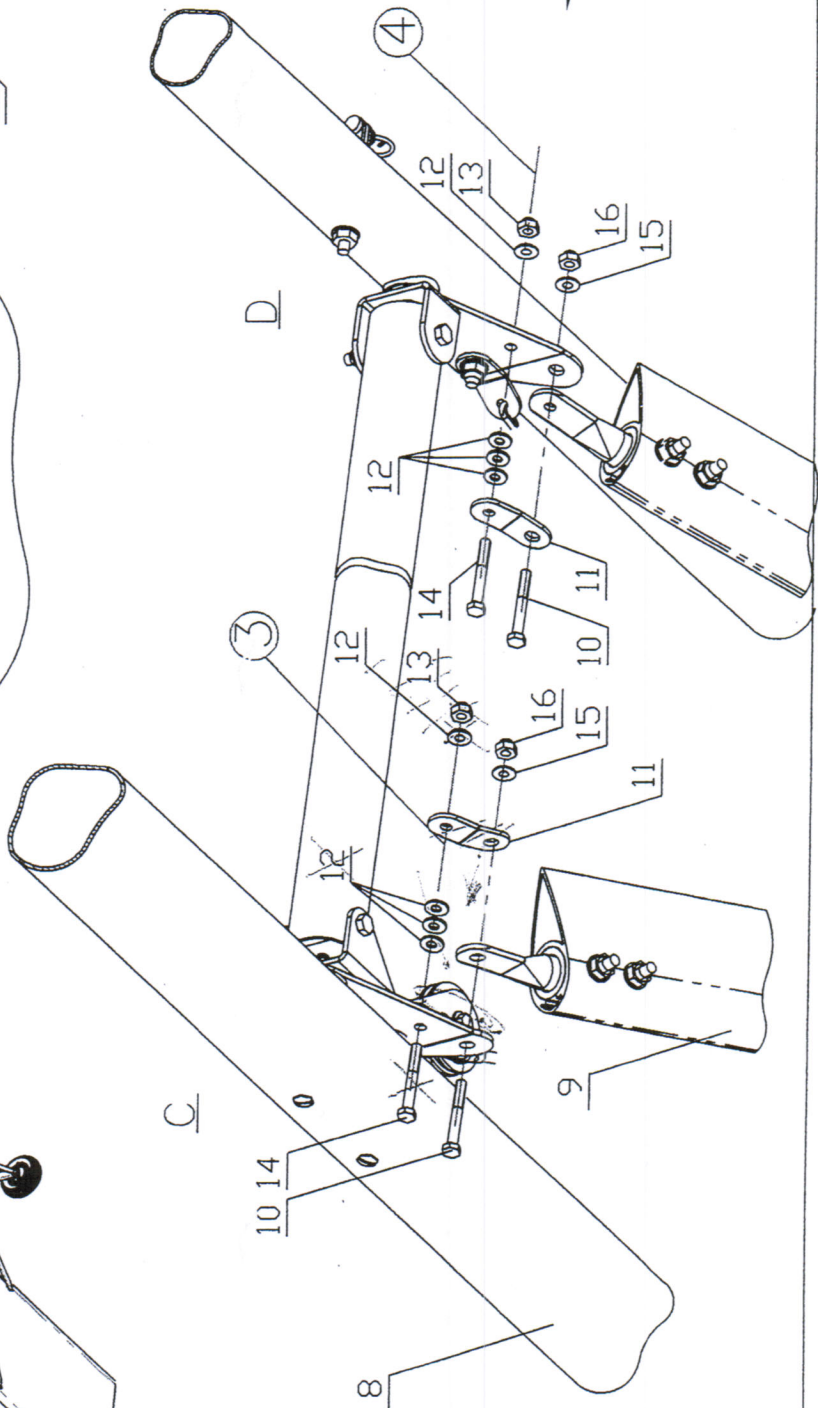
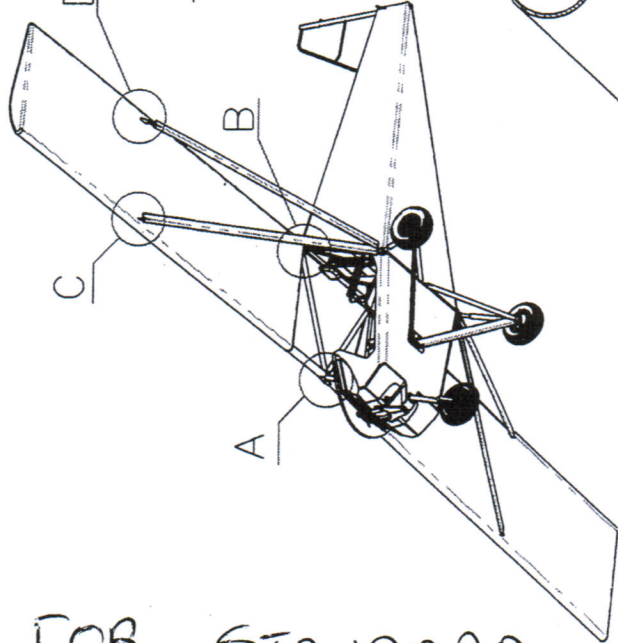
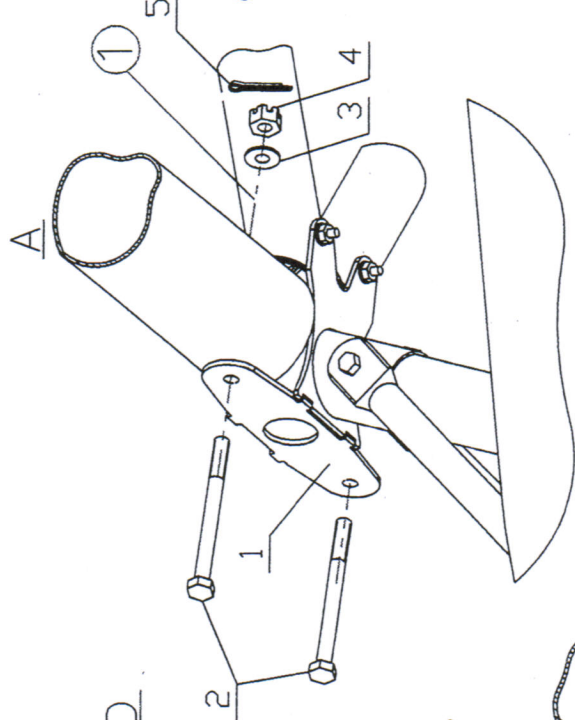
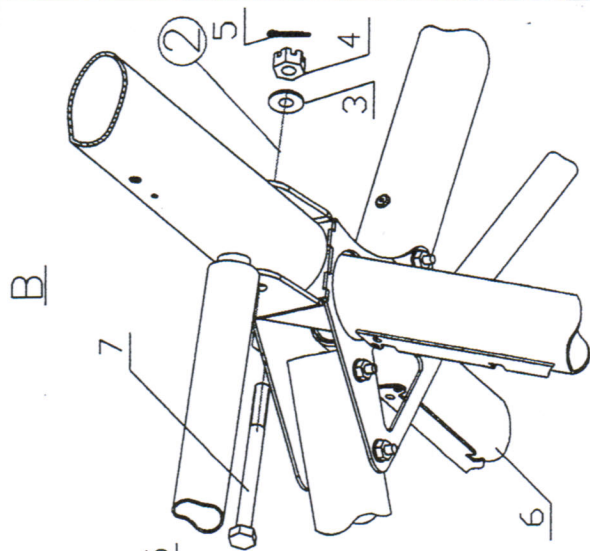
PART DESCRIPTION	PART NUMBER	QUANTITY
Standard Bolt	M6 x 40	2
Special Bolt	CH-00-00027	4
Standard Bolt	M6 x 50	4
Special Bolt	CH-00-00028	2
Special Bolt	CH-00-00013	4
Special Bolt	CH-00-00012	2
M6 Washers	n/a	10
M8 Washers	n/a	12
M6 Nylock Nuts	n/a	10
M8 Nylock Nuts	n/a	12
Special Bolt	CH-00-00025	4 (Standard Wing only)

The manufacturer recommends the above to be replaced in the interest of flight safety and to ensure continuous product excellence.

Please direct any queries to the Company directly on the numbers on the letterhead.

Natasha Rheeders General Manager
Johan Van Zyl Manager : Assembly & Quality Control
Roelof Peyper Manager : Maintenance

Rev no	Description	Date	Approval
--------	-------------	------	----------



Sail not shown
 -LEFT
 -RIGHT MIRROR IMAGE

FOR STANDARD WING.

CHEETAH	Description:		Date:
	Material:	Part no:	Scale:
		PAGE 88	

